



Description

As the name implies, the simple yet elegant conical shape is reminiscent of a flute. Taking the same inspiration, the stylized openings serve a practical purpose by allowing the light to be directed at various angles depending on which opening the cable is passed through.



Tech. description The light comprises a glass shade and metal body with E27 socket and power cord.

The light is hung from a ceiling canopy.

Colours options: https://brokis.sharepoint.com/:b:/s/brokis_sp/EX7NnM3HXdNGicOpwR0RCqgBlzrmWkPHDaW1FHhsHv-

CONSTRUCTION SPECIFICATION

Weight:	1.7 kg
Construction material:	glass, metal
Cord length [mm]:	2,000 mm
Mounting:	Ceiling
Environment:	Indoor

DIMENSIONS [mm]



ELECTRICAL SPECIFICATION

Input voltage [V]:	230 V
Frequency [Hz]:	50-60 Hz
Max. power [W]:	15 W
Coverage IP:	20
Socket:	E27
Light source:	-
Energy class:	A+ to B depending on light source

CERTIFICATIONS





CM1642

Socket	E27
Type	LED
Lamp wattage [W]	13 W
Input voltage [V]	220 - 240 VAC
Energy class	A+
Flux [lm]	700 lm
Light colour [K]	2700 K
CRI	90+
Lifespan [h]	25000h
Dimmable	yes
Dimensions h x w [mm]	95 x 63 mm

DATASHEET

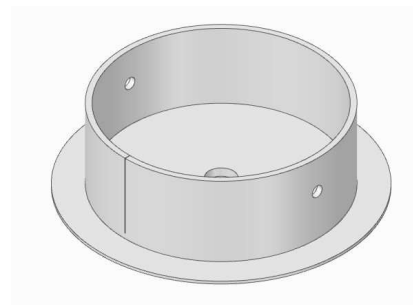
RECOMENDED CANOPY



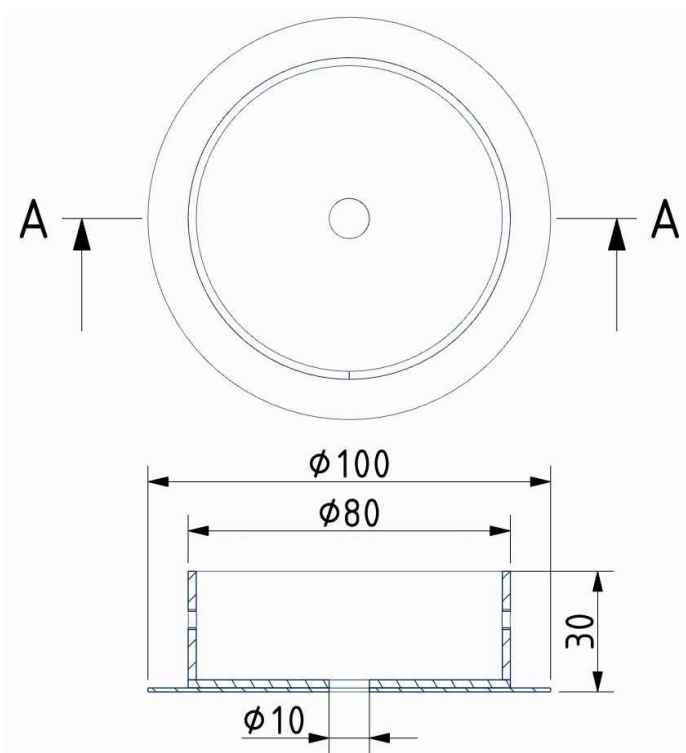
Download

CEILING CANOPY

Dimensions O x w [mm]	100 x 30 mm
Weight [kg]	0,25 kg
Material	metal



Drawing



Canopy bracket

