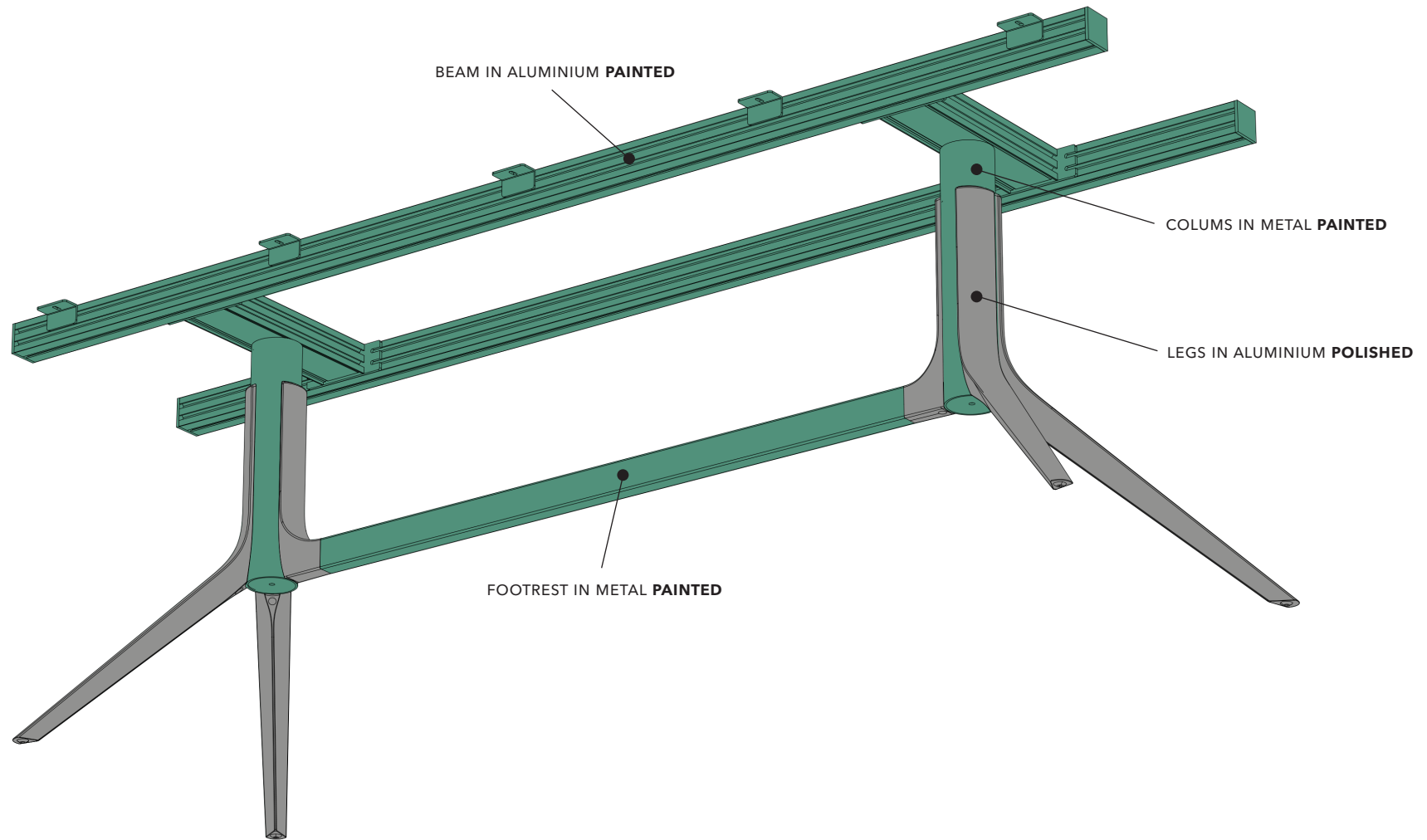


Painted or WHITE or BLACK

NB: the colour of the paint is the same for all the elements of the table, it is not possible to have some elements in white and others in black.



 Painted or **WHITE** or **BLACK**

 **POLISHED**

NB: the colour of the paint is the same for all the elements of the table, it is not possible to have some elements in white and others in black.

